



BEFORE YOU BEGIN

Read and follow all safety instructions



WARNING

RISK OF FIRE, EXPLOSION AND ELECTRIC SHOCK

- This product should be installed, inspected, and maintained by a qualified electrician only, in accordance with the NEC (National Electric Code) and all local codes.
- Turn off electrical power before inspection, installation or removal.
- Use only UL (or other NRTL) approved wire for input/output connections.
- Make sure LEDs and drivers are cool to touch when performing maintenance.
Make sure the supply voltage is the same as the rated voltage of the luminaire.
- Do not install in a hazardous atmosphere, except where the ambient temperature does not exceed the rated operating temperature of the fixture.
- Keep tightly closed when in operation



Prepare Electrical Wiring



Electrical Requirements

Must check if the local voltage range is correspond with the working voltage of the fixture. Use min. 75°C supply.



Grounding Instructions

The grounding and bonding of the overall system shall be done in accordance with NEC Article 600 and local codes.

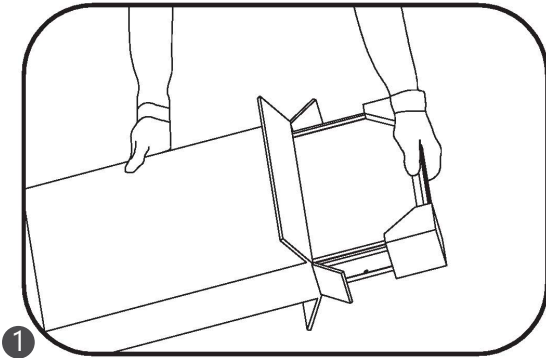


Follow all applicable safety procedures and use Personal Protective Equipment such as hardhats, safety glasses, reflective vest, electrical safety gloves, fall protection equipment and safety toe boots during the installation, operation, and maintenance of the luminaire.

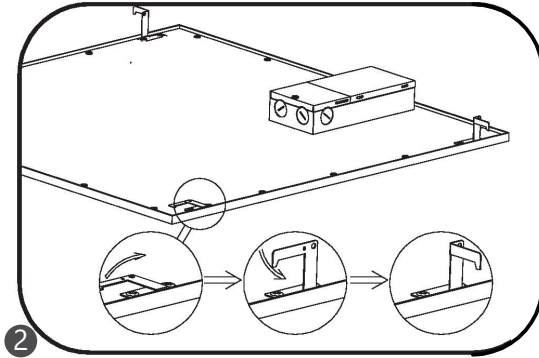
Contractor is responsible for adequately reinforcing ceilings to support luminaire weight. Alcon Lighting accepts no responsibility for inadequately reinforced ceilings. The information contained in this drawing is the sole property of Alcon Lighting.

Any reproduction in part or whole without the written permission of Alcon Lighting is prohibited and warranty is voided.

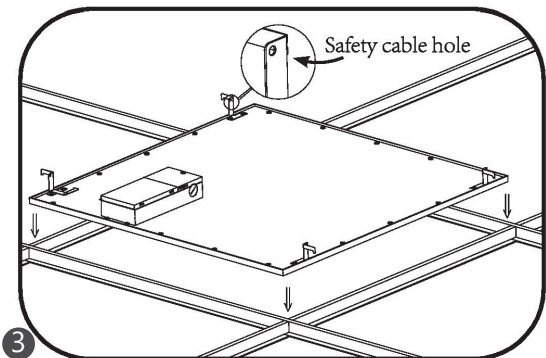
RECESSED MOUNT



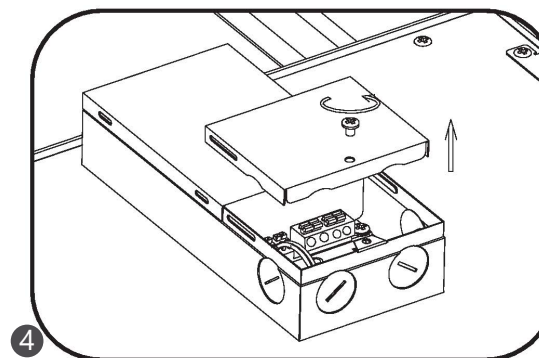
1 Carefully unpack unit and properly inspect for defects before installing. Wear work gloves to prevent dirt and oil from being transferred to the luminaire. If cleaning is needed, use gloves and a dry cotton cloth. It is not recommended to use any hazardous chemicals.



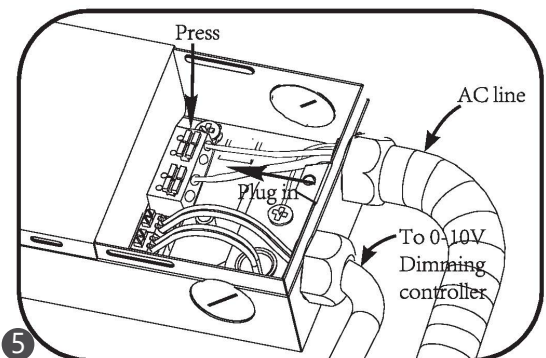
2 Lift up (4) mounting clips on the sides of the luminaire by hand or pliers. Please wear gloves.



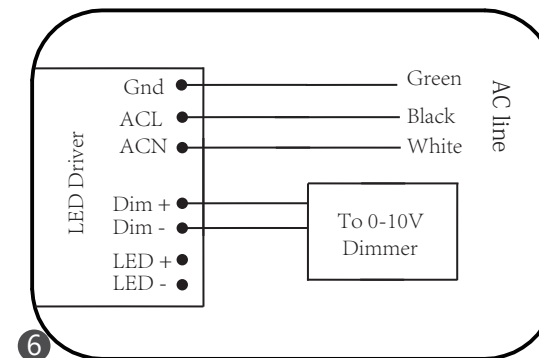
3 Insert luminaire into T-bar ceiling grid. Secure safety cable to connection hole as needed to meet local seismic requirements. Safety cable and method of attachment to the building provided by contractor according to local building codes.



4 Remove electrical enclosure cover. Carefully remove knockout for AC line input wires and 0-10V control line. Install listed electrical fittings in the knockout holes for wire protection if needed.

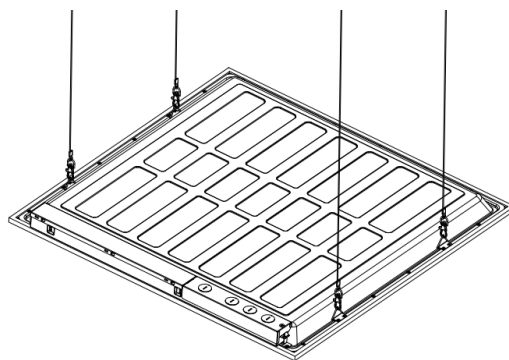
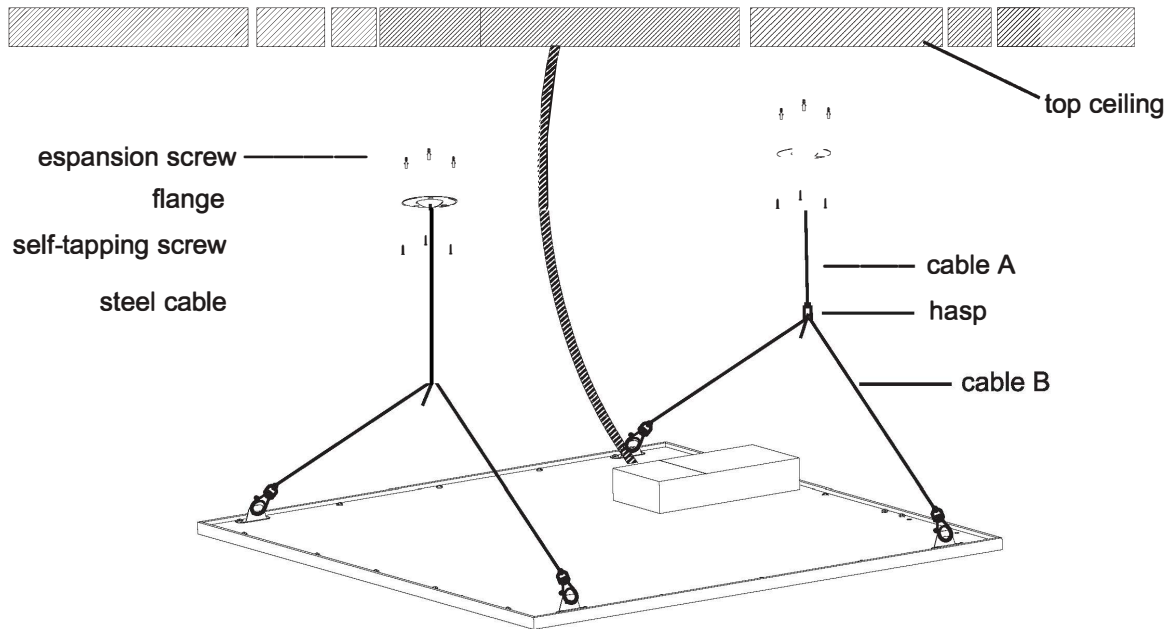


5 Connect the AC line(L and N, and GND) to the LED Driver. When connecting 0-10V dimming controller, wires must run through a separate knockout hole equipped with an appropriate electrical fitting.



6 Follow the wiring diagram. When using the 0-10V dimming controller, run wires from controller through a different KO than the AC line. Do not forget to return the electrical enclosure cover and tighten the screws.

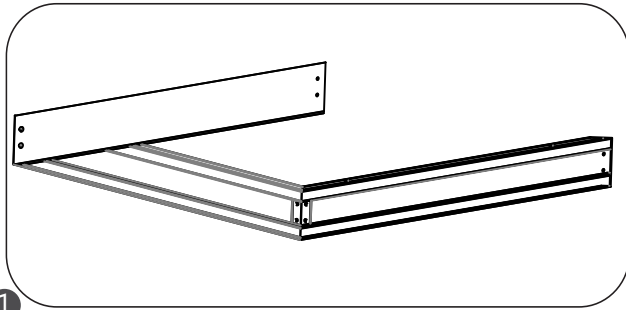
CABLE SUSPENDED MOUNT



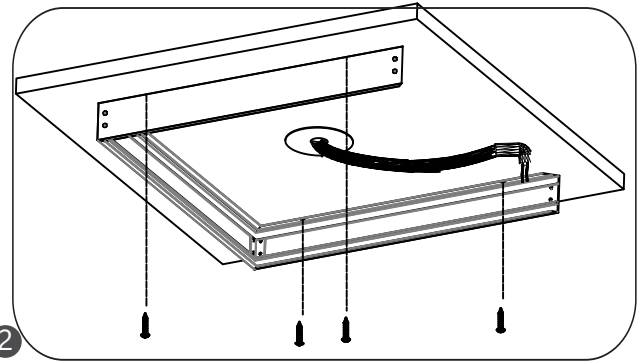
AC cable kit

1. Replace the existing earthquake tabs with the provided (4) brackets with screws which are used for fixing adjustable cables.
2. Hook the one end of the cable onto the brackets to lock the fixture side of the cables.
3. Insert the other end of the cable with thread onto grippers, then to ceiling.
4. Make any length adjustment and make sure the fixture is leveled.
5. Connect LED driver to AC main power.

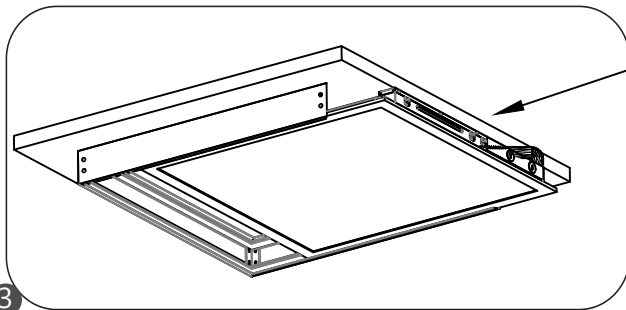
SURFACE MOUNT KIT



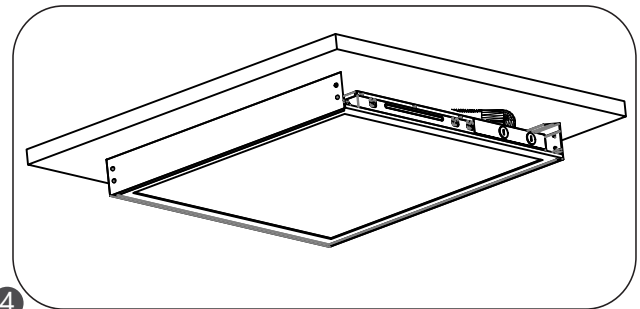
1 Use the appropriate dimensions and fasteners after properly measuring the surface mount kit frame.



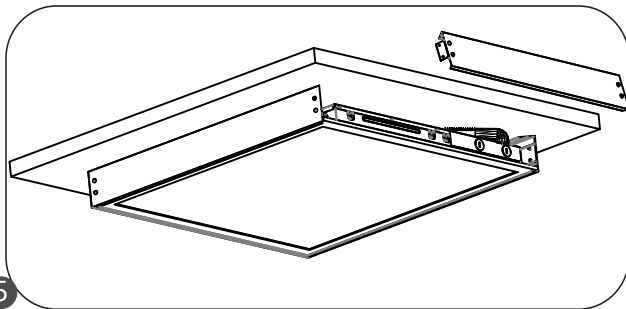
2 Assemble and mount 3 sides of the surface mount frame on the ceiling with screws. Make sure the wires are long enough for step 3.



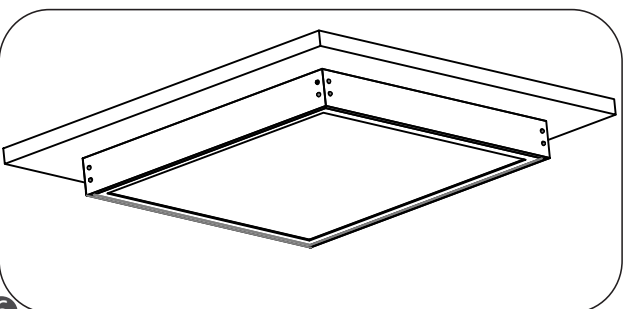
3 Make wire connection and insert the fixture to the frame all the way.



4 Check to see if the fixture sits properly on the inner flanges of the surface mount frames. If the fixture is not sitting properly, make adjustments until it is into place.



5 Install the last frame. Make sure the last frame is fastened together with the rest of the frames.



6 Check all the corners to ensure the alignment as well as proper installation.